

TMEWE-120s

注塑机锁模力 Injection Press Range
350-550 ton



- 安全性**
 Safety
- 稳定性**
 Stability
- 适应性**
 Adaptability
- 拓星链应用平台**
 Topstar link application platform

顶针跟随

Top needle follow

实时调整关节力矩
使机械手对外力柔顺响应
避免碰撞损坏模具
安全性: 减少碰撞伤害

Real time adjustment of joint torque
Make the robotic arm respond smoothly to external forces
Avoid collision damage to the mold
Safety: Reduce collision injuries

电机自调整

Motor self-adjusting

据实际工况可智能调节电机的加减速, 设备稳定运行年限有效率, 提高30%
适应性: 减少振荡和超调, 能应对负载和环境变化

According to actual working conditions, the acceleration and deceleration of the motor can be intelligently adjusted, and the equipment can operate stably and efficiently, increasing efficiency by 30%.
Adaptability: Reduce oscillation and overshoot, able to cope with load and environmental changes

开模精度

Precision of mold opening

自动准确调整
支持注塑机调用信号, 检测注塑机开模位置, 自动调整行程
减少因开模精度不准而导致的报警和调机次数
稳定性: 减少生产波动—调试次数

Automatic and accurate adjustment
Support injection molding machine call signals, detect the mold opening position of the injection molding machine, and automatically adjust the stroke
Reduce the number of alarms and machine adjustments caused by inaccurate mold precision
Stability: Reduce production fluctuations - debugging frequency

拓星链应用平台

Topstar link application platform

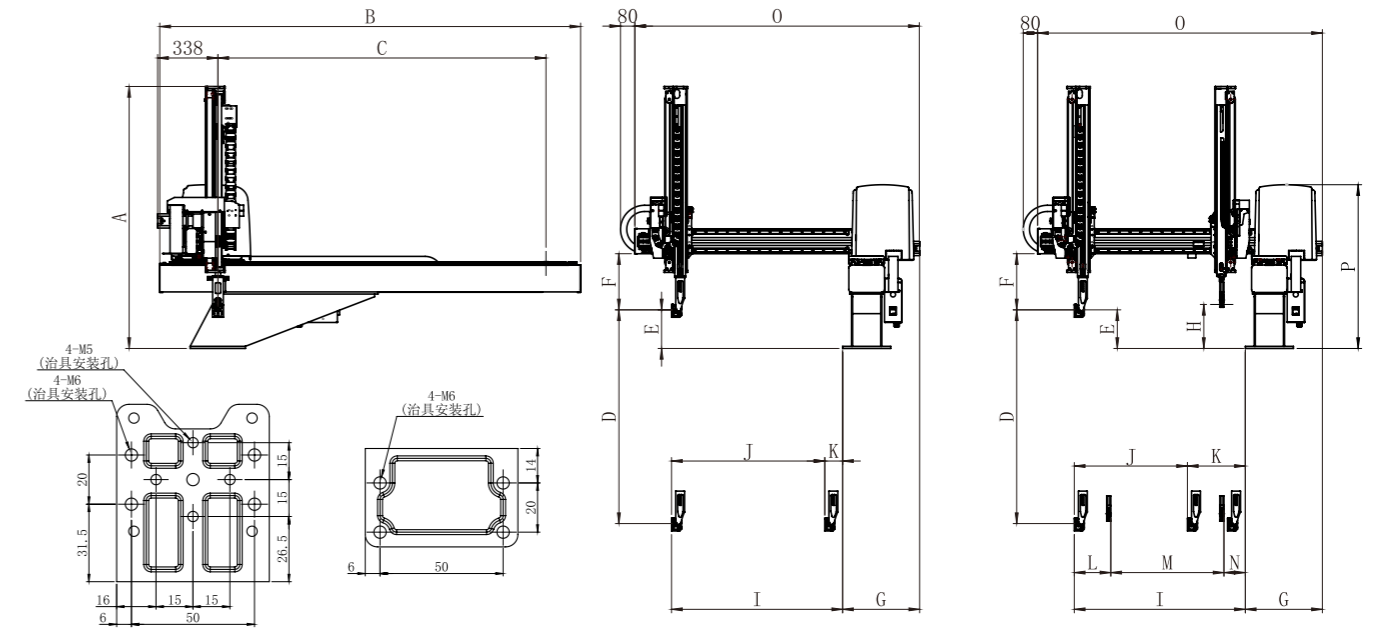
实时远程监控, 设备运行数据统计、分析及寿命管理。

Real-time remote monitoring, data statistics, analysis and life management of equipment operation.

基本参数 Basic Parameters

机型 Model	电源 Power Supply	最大消费电力 Max Power Consumption	使用气压 Air Pressure	空气消费量 Air Consumption	驱动方式 Drive System	姿势(气缸) Posture (Air Cylinder)	最大可搬重量 Max.Load	重复定位精度 Repeated Positioning Accuracy	最小取出时间 Minimum take-out time	空循环时间(不含治具) Dry cycle time (excluding fixtures)	姿势力矩 Posture Torque	本体重量 Net Weight
单位 Unit	V	KW	Mpa	NI/cycle	—	—	kg	mm	s	s	N.m	kg
TMEWE-120-120-96-18TR	AC220 ±10% 50/60HZ	2	0.5-0.7	2.9	伺服马达 / AC Servo Motor	90°	6	0.1	1.4	5.6	13.2	275~285
TMEWE-120s-120-96-18TR		2.8	0.5-0.7	2.9			6	0.1	1.4	5.6	13.2	295~305
TMEWE-120-140-96-18TR		2	0.5-0.7	2.9			6	0.1	1.4	5.6	13.2	295~305
TMEWE-120s-140-96-18TR		2.8	0.5-0.7	2.9			6	0.1	1.4	5.6	13.2	315~325

外形尺寸 Outer dimensions



单位: mm Unit: mm	机型 Model	TMEWE-120-120		TMEWE-120-140	
		TMEWE-120-120-96-18TR	TMEWE-120s-120-96-18TR	TMEWE-120-140-96-18TR	TMEWE-120s-140-96-18TR
A	总高 Total height	1470	1470	1530	1530
B	总长 Total length	2375	2375	2375	2375
C	走行行程 Traverse stroke	1800	1800	1800	1800
D	主臂上下行程 Main arm vertical stroke	1200	1200	1400	1400
E	主臂上下待机 Main arm standby height	215	215	215	215
F	夹具安装有效空间 Effective space for jig mounting	290	290	290	290
G	底座里侧-箱体末端 Base internal side to end of the box	375	375	375	375
H	副臂上下待机 Sub-arm vertical standby	-	220	-	220
I	主臂前进最大值 Main arm max. fwd. movement	960	960	960	960
J	主臂前进最大行程 Main arm max. crosswise stroke	860	630	860	630
K	主臂前后待机最小值 Main arm min. crosswise standby	100	330	100	330
L	主副臂接近最小值 Min. space between main arm and sub-arm	-	210	-	210
M	副臂前进最大行程 Sub-arm max. crosswise stroke	-	630	-	630
N	副臂前后待机最小值 Sub-arm min. crosswise standby	-	120	-	120
O	前后臂末端-箱体末端 Crosswise end to box end	1540	1540	1540	1540
P	手臂下降后最小高度 Min. height of arm after descending	930	930	930	930
Q	治具安装尺寸 Jig mounting dimension	动模面 Moveable platen 20x50,4xM6/30x30,4xM5 定模面 Fixed platen 20X50,4xM6			

注: 正反向尺寸一致 Note: Same dimensions for positive and negative operation models.

配置表 Configuration table

机型 Model	8个独立包装动作 8 independent packaging motion	自由装箱点(115点×2处) Free packaging motion(115points×2stage)	落下测下降途中姿势 Posture midway descent at release side	顶针前进后退连动 Ejector Forward and Backward Coordinated Movement	不良品排出回路 Defective product reject circuit	取出下降待时机 Delayed arm descent	水口模内开放 Runner release within mold	输送带启动信号 Start signal of circuit	内部存储记忆(最大100种类型) Internal memory (for Max 100 molds)	2国语言切换(中文, 英文) Two language exchange (Chinese/English)	Nt剪切·可动侧 NT gate cutting on crossmember of moving	回转单元 Rotation unit	欧规 12 EURO-MAP 12	欧规 67 EURO-MAP 67
TMEWE-120-120-96-18TR	●	●	●	●	●	●	●	●	●	●	○	○	○	○
TMEWE-120s-120-96-18TR	●	●	●	●	●	●	●	●	●	●	○	○	○	○
TMEWE-120-140-96-18TR	●	●	●	●	●	●	●	●	●	●	○	○	○	○
TMEWE-120s-140-96-18TR	●	●	●	●	●	●	●	●	●	●	○	○	○	○

注: 标配功能“●”、选配功能“○”和“-”表示无。Note: Standard function "●", optional function "○" and "-" indicates none.